

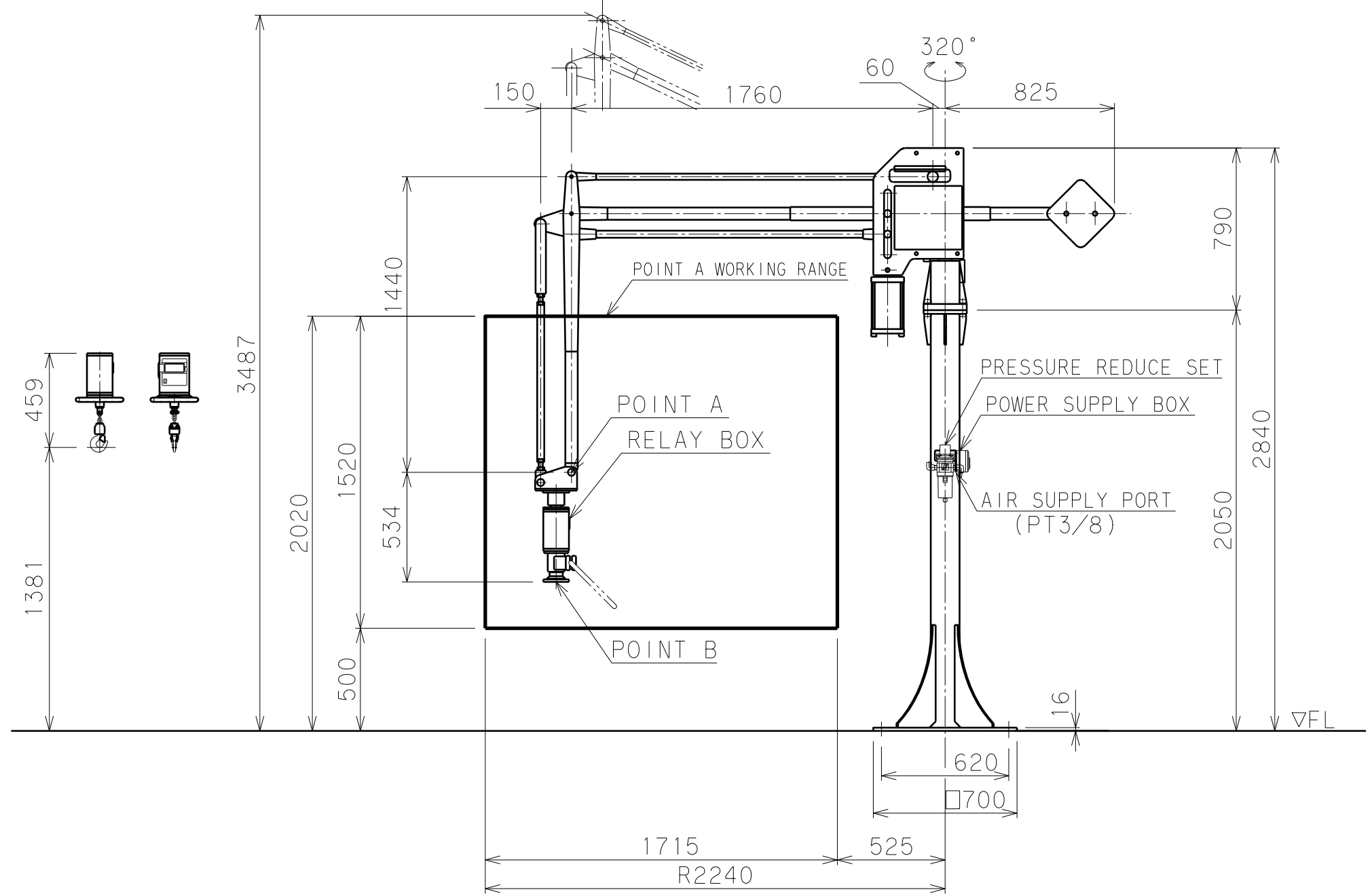
POINT A WORKING RANGE

1715

R2240

R1525

4-φ25



BALAMAN SPECIFICATIONS

MODEL	U2BMF-75W
MAX.LOAD	72kg (BELOW POINT A) 56kg (BELOW POINT B)
MAX.RADIUS	R2240 mm
HORIZONTAL STROKE	1715 mm
VERTICAL STROKE	1520 mm
MAX.WORKING HEIGHT	2020 mm
MAX.MACHINE HEIGHT	3487 mm
AIR SUPPLY	0.54 MPaG
AIR CONSUMPTION	102L/min (10 SEC CYCLE)
POWER SUPPLY	SINGLE-PHASE AC85~AC264V 50/60Hz 0.1KVA
CONTROL METHOD	
COATING	MAIN BODY & BASE D1C233(DIC No.) 5Y8/1(MUNSELL No.) ATTACHMENT 10R5.5/14.5 (MUNSELL No.)
MAIN UNIT MASS	APPROX. 200kg
BASE UNIT MASS	APPROX. 120kg
SWIVEL UNIT MASS	4kg
RELAY BOX MASS	12kg
WORK PIECE MASS	kg
REMARKS	ACCESSORIES:PRESSURE REDUCE SET :POWER SUPPLY BOX