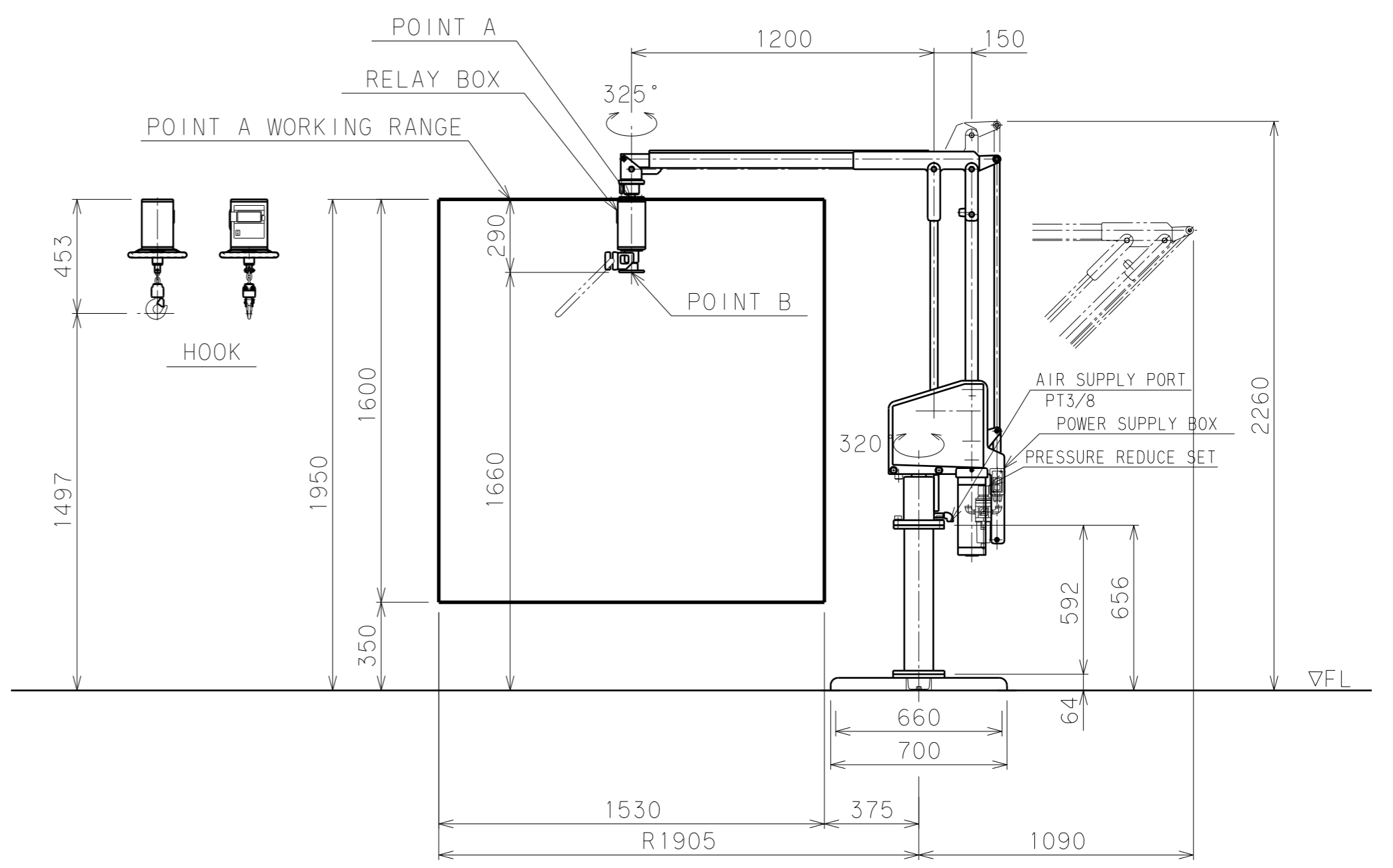
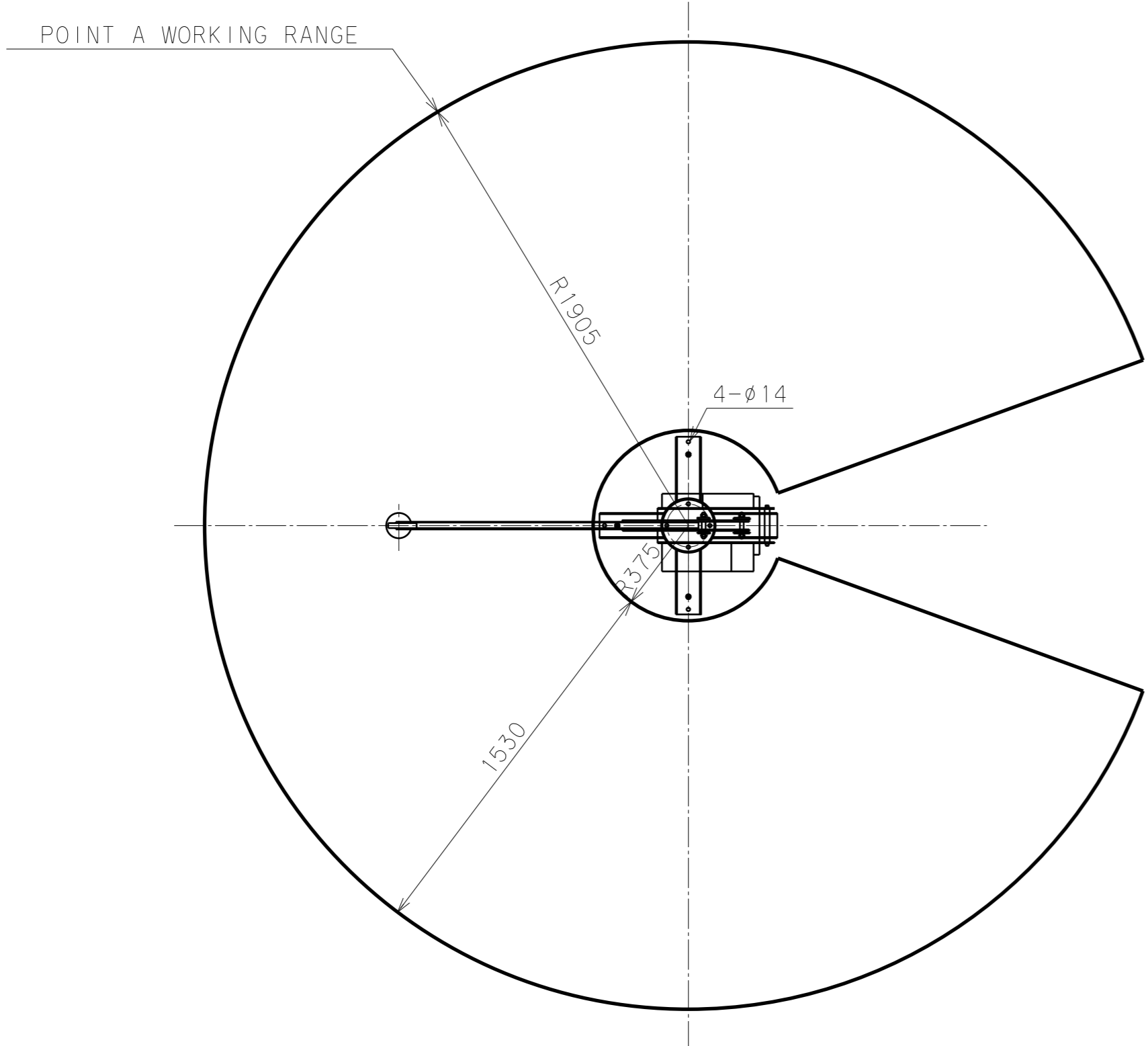


A | B | C | D | E | F | G | H | I | J | K

1  
2  
3  
4  
5  
6  
7  
8



BALAMAN SPECIFICATIONS	
MODEL	U2BMG-30W
MAX. LOAD	30kg (BELOW POINT A) 22kg (BELOW POINT B)
MAX. RADIUS	R1950 mm
HORIZONTAL STROKE	1530 mm
VERTICAL STROKE	1600 mm
MAX. WORKING HEIGHT	1950 mm
MAX. MACHINE HEIGHT	2260 mm
AIR SUPPLY	0.54 MPaG
AIR CONSUMPTION	48NL/min (10 SEC CYCLE)
POWER SUPPLY	SINGLE-PHASE AC85~AC264V 50/60Hz 0.1KVA
CONTROL METHOD	
COATING	MAIN BODY & BASE DIC233(DIC No.) 5Y8/1(MUNSELL No.) ATTACHMENT 10R5.5/14.5 (MUNSELL No.)
MAIN UNIT MASS	APPROX. 100kg
BASE UNIT MASS	APPROX. 28kg
RELAY BOX MASS	8kg
WORK PIECE MASS	kg
REMARKS	ACCESSORIES: PRESSURE REDUCE SET : POWER SUPPLY BOX